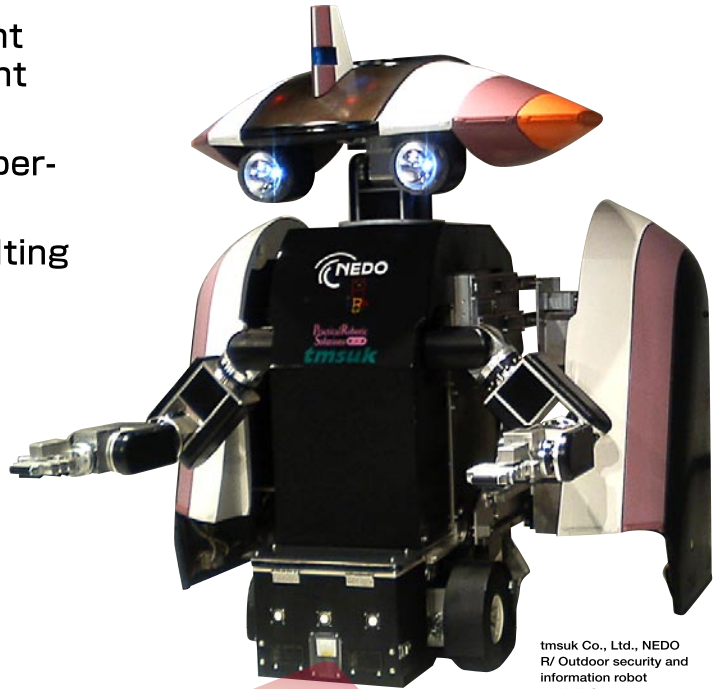




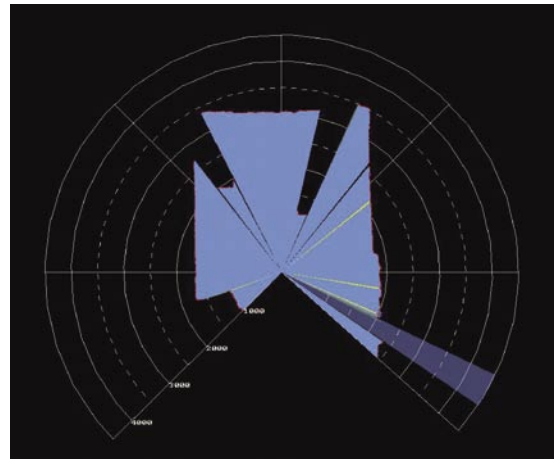
Scanning Laser Range Finder for Robotics "SOKUIKI Sensor"

URG-04LX

- The most suitable environment detection sensor for intelligent robots.
- More design freedom with super-compact size.
- Low power consumption resulting longer battery life.



- Wide Angle: 240°
- High Accuracy: ± 10 mm
- High Resolution: 0.36°



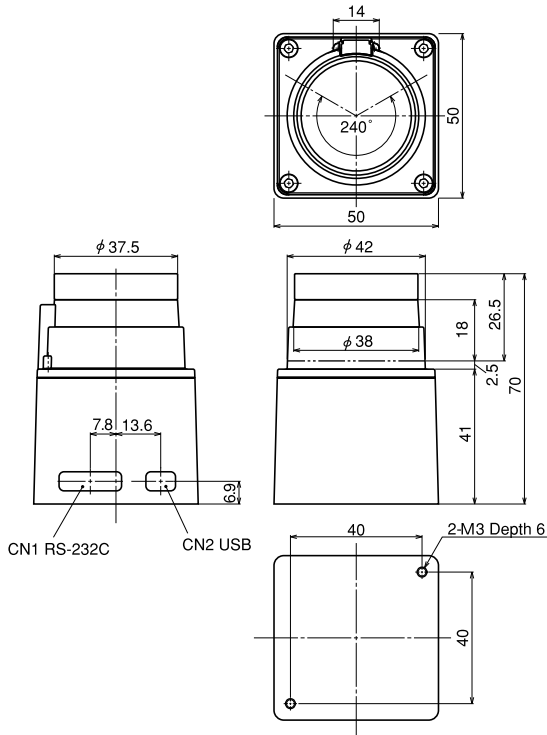
- Super-Compact Body
Optical window: $\varnothing 42$ x H26
Product size: 50 x 50 x 70 mm
(W x D x H)
- Super-Light Weight: 160 g
- Low Power: 2.5 Watts

URG-04LX

Specifications

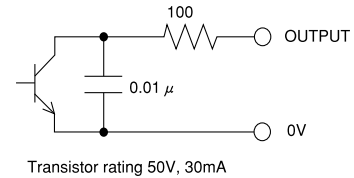
Product name	Scanning Laser Range Finder "SOKUIKI Sensor"
Model	URG-04LX
Power source	5VDC, $\pm 5\%$
Detection distance	Detectable Distance: 20 to 5,600mm Accuracy-guaranteed range: 60 to 4,095mm (Indoor, white Kent Sheet 70 x 70mm)
Angle	240°
Accuracy	60 to 1,000mm : $\pm 10\text{mm}$, 1,000 to 4,095mm : $\pm 1\%$ of measured distance (Indoor, white Kent Sheet 70 x 70mm)
Angular resolution	Approx. 0.36° ($360^\circ / 1024$)
Light source	Infrared laser (FDA safety Class 1)
Scan time	100msec/scan
Sound level	Less than 25dB
Interface	RS-232C(19.2k, 57.6k, 115.2k, 250k, 500k, 750kbps), USB2.0 (Full Speed)
Synchronous output	Optical Scanner Rotating Timing output (NPN open-collector: Max. 30mA)
Command system	Exclusively designed command: SCIP Ver.1.0 & 2.0
Ambient (temperature/humidity)	-10 to +50°C , less than 85%RH (without dew and frost)
Vibration and impact resistance	Vibration: 1.5mm (10 to 55Hz), Impact: 196m/s ²
Weight	Approx.160g

External dimension



Connection

●Output circuit



●Interface

[CN1 RS-232C]

No.	Signals	Lead color
1	N.C.	
2	N.C.	
3	Sync output	Black
4	GND	
5	RXD (9pin Dsub 3 pin)	
6	TXD (9pin Dsub 2 pin)	
7	0V	Blue
8	5VDC	Brown

[CN2 USB-miniB (5pin)]



HOKUYO AUTOMATIC CO.,LTD

1-10-9, NIITAKA, YODOGAWA-KU, OSAKA 532-0033, JAPAN
TEL:+81-6-6394-2102 FAX:+81-6-6394-2339
URL :http://www.hokuyo-aut.jp

Catalog No.CRS0006A 07.05.H

HOKUYO