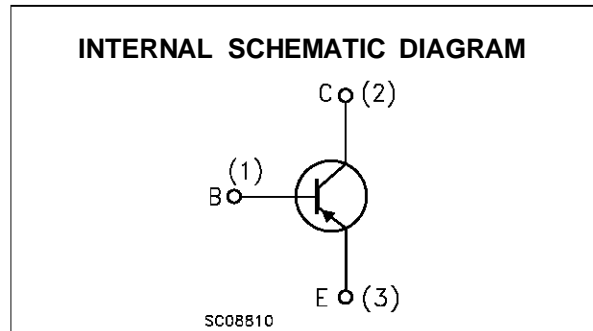
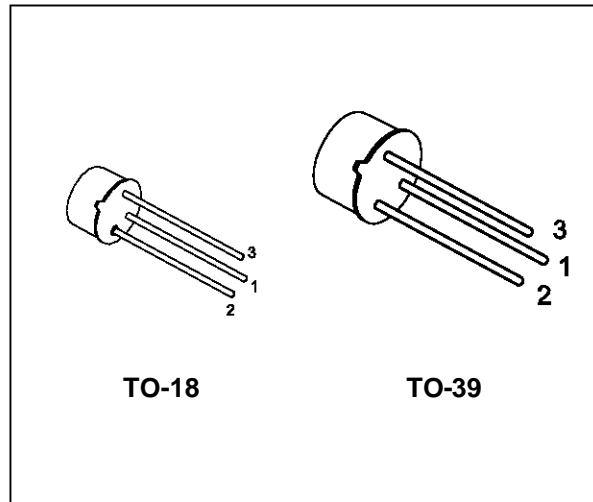


GENERAL PURPOSE AMPLIFIERS AND SWITCHES

DESCRIPTION

The 2N2905A and 2N2907A are silicon planar epitaxial PNP transistors in Jedec TO-39 (for 2N2905A) and in Jedec TO-18 (for 2N2907A) metal case. They are designed for high speed saturated switching and general purpose applications.

- ☰ 2N2905A approved to CECC 50002-100, 2N2906A approved to CECC 50002-103 available on request.



ABSOLUTE MAXIMUM RATINGS

| Symbol | Parameter | Value | Unit |
|-----------|---|------------|------------------|
| V_{CBO} | Collector-Base Voltage ($I_E = 0$) | -60 | V |
| V_{CEO} | Collector-Emitter Voltage ($I_B = 0$) | -60 | V |
| V_{EBO} | Emitter-Base Voltage ($I_C = 0$) | -5 | V |
| I_C | Collector Current | -0.6 | A |
| P_{tot} | Total Dissipation at $T_{amb} \leq 25\text{ }^\circ\text{C}$ for 2N2905A for 2N2907A at $T_{case} \leq 25\text{ }^\circ\text{C}$ for 2N2905A for 2N2907A | 0.6 | W |
| | | 0.4 | W |
| | | 3 | W |
| | | 1.8 | W |
| T_{stg} | Storage Temperature | -65 to 200 | $^\circ\text{C}$ |
| T_j | Max. Operating Junction Temperature | 200 | $^\circ\text{C}$ |

2N2905A/2N2907A

THERMAL DATA

| | | | TO-39 | TO-18 | |
|-----------------------|-------------------------------------|-----|-------|-------|------|
| R _{thj-case} | Thermal Resistance Junction-Case | Max | 58.3 | 97.3 | °C/W |
| R _{thj-amb} | Thermal Resistance Junction-Ambient | Max | 292 | 437.5 | °C/W |

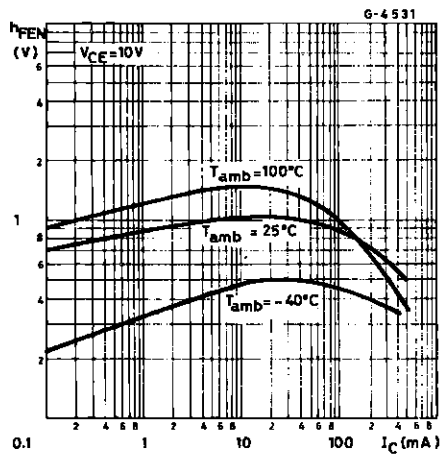
ELECTRICAL CHARACTERISTICS (T_{case} = 25 °C unless otherwise specified)

| Symbol | Parameter | Test Conditions | Min. | Typ. | Max. | Unit |
|------------------------|--|---|-------------------------------|------|--------------|----------|
| I _{CBO} | Collector Cut-off Current (I _E = 0) | V _{CB} = -50 V V _{CB} = -50 V T _{case} = 150 °C | | | -10 -10 | nA μA |
| I _{CEX} | Collector Cut-off Current (V _{BE} = -0.5V) | V _{CE} = -30 V | | | -50 | nA |
| I _{BEX} | Base Cut-off Current (V _{BE} = -0.5V) | V _{CE} = -30 V | | | -50 | nA |
| V _{(BR)CBO} * | Collector-Base Breakdown Voltage (I _E = 0) | I _C = -10 μA | -60 | | | V |
| V _{(BR)CEO} * | Collector-Emitter Breakdown Voltage (I _B = 0) | I _C = -10 mA | -60 | | | V |
| V _{(BR)EBO} * | Emitter-Base Breakdown Voltage (I _C = 0) | I _E = -10 μA | -5 | | | V |
| V _{CE(sat)} * | Collector-Emitter Saturation Voltage | I _C = -150 mA I _B = -15 mA I _C = -500 mA I _B = -50 mA | | | -0.4 -1.6 | V V |
| V _{BE(sat)} * | Base-Emitter Saturation Voltage | I _C = -150 mA I _B = -15 mA I _C = -500 mA I _B = -50 mA | | | -1.3 -2.6 | V V |
| h _{FE} * | DC Current Gain | I _C = -0.1 mA V _{CE} = -10 V I _C = -1 mA V _{CE} = -10 V I _C = -10 mA V _{CE} = -10 V I _C = -150 mA V _{CE} = -10 V I _C = -500 mA V _{CE} = -10 V | 75 100 100 100 50 | | 300 | |
| f _T | Transition Frequency | V _{CE} = -50 V f = 100 MHz I _C = -20 mA | 200 | | | MHz |
| C _{EBO} | Emitter Base Capacitance | I _C = 0 V _{EB} = -2 V f = 1MHz | | | 30 | pF |
| C _{CBO} | Collector Base Capacitance | I _E = 0 V _{CB} = -10 V f = 1MHz | | | 8 | pF |
| t _d ** | Delay Time | V _{CC} = -30 V I _C = -150 mA I _{B1} = -15 mA | | | 10 | ns |
| t _r ** | Rise Time | V _{CC} = -30 V I _C = -150 mA I _{B1} = -15 mA | | | 40 | ns |
| t _s ** | Storage Time | V _{CC} = -6 V I _C = -150 mA I _{B1} = -I _{B2} = -15 mA | | | 80 | ns |
| t _f ** | Fall Time | V _{CC} = -6 V I _C = -150 mA I _{B1} = -I _{B2} = -15 mA | | | 30 | ns |
| t _{on} ** | Turn-on Time | V _{CC} = -30 V I _C = -150 mA I _{B1} = -15 mA | | | 45 | ns |
| t _{off} ** | Turn-off Time | V _{CC} = -6 V I _C = -150 mA I _{B1} = -I _{B2} = -15 mA | | | 100 | ns |

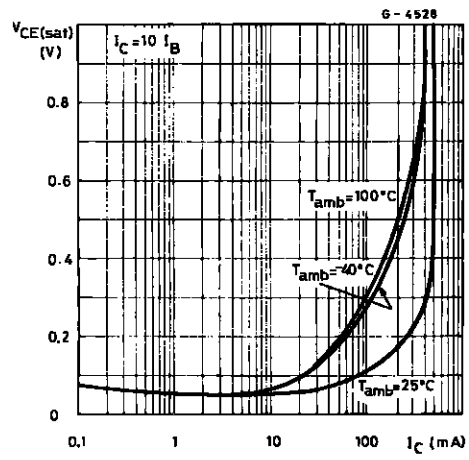
* Pulsed: Pulse duration = 300 μs, duty cycle ≤ 1 %

** See test circuit

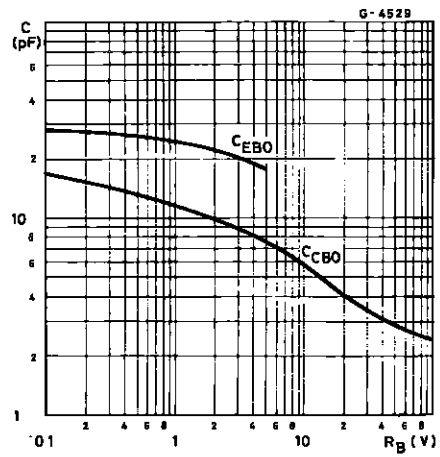
Normalized DC Current Gain.



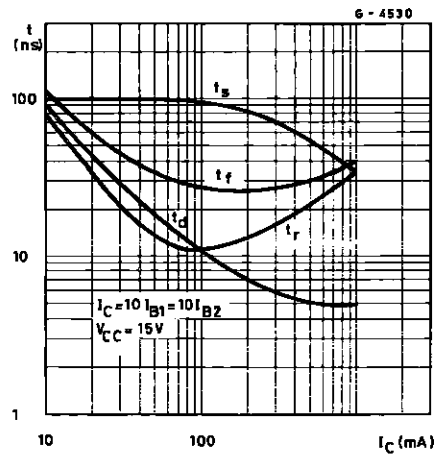
Collector-emitter Saturation Voltage.



Collector-base and Emitter-base capacitances.

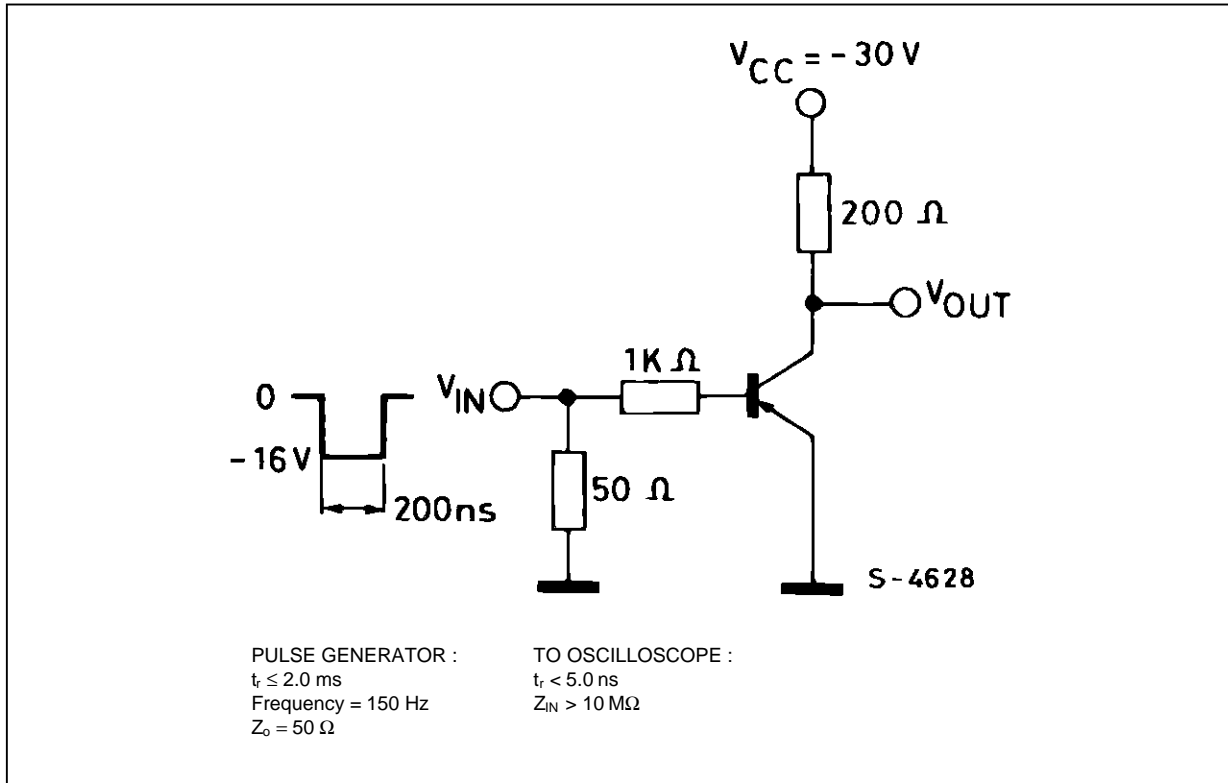


Switching Characteristics.

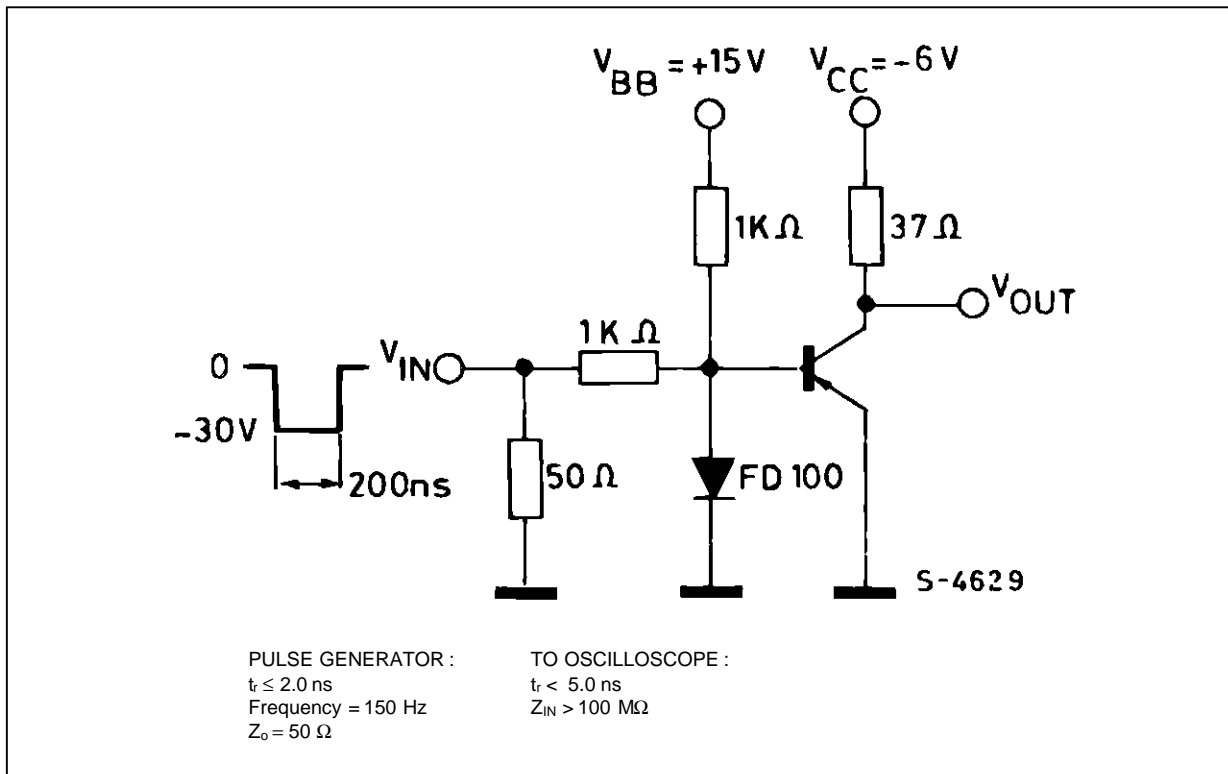


2N2905A/2N2907A

Test Circuit for t_{on} , t_r , t_d .

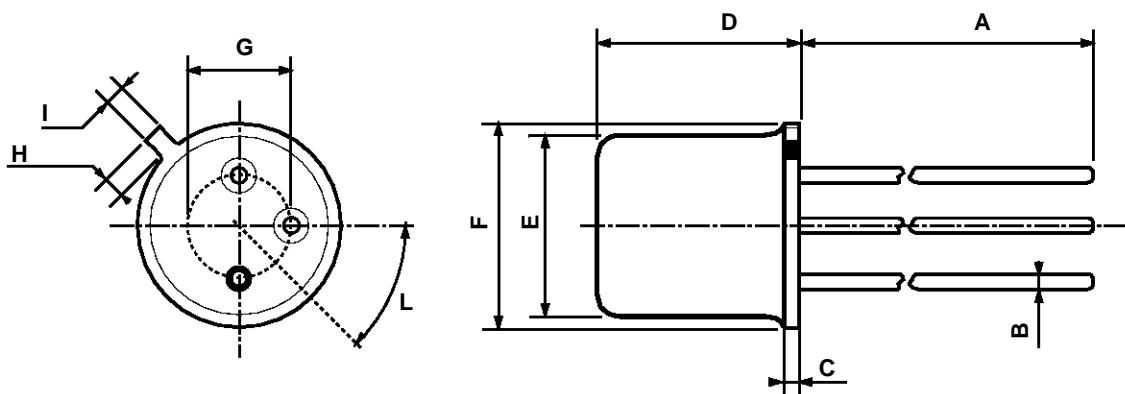


Test Circuit for t_{off} , t_o , t_f .



TO-18 MECHANICAL DATA

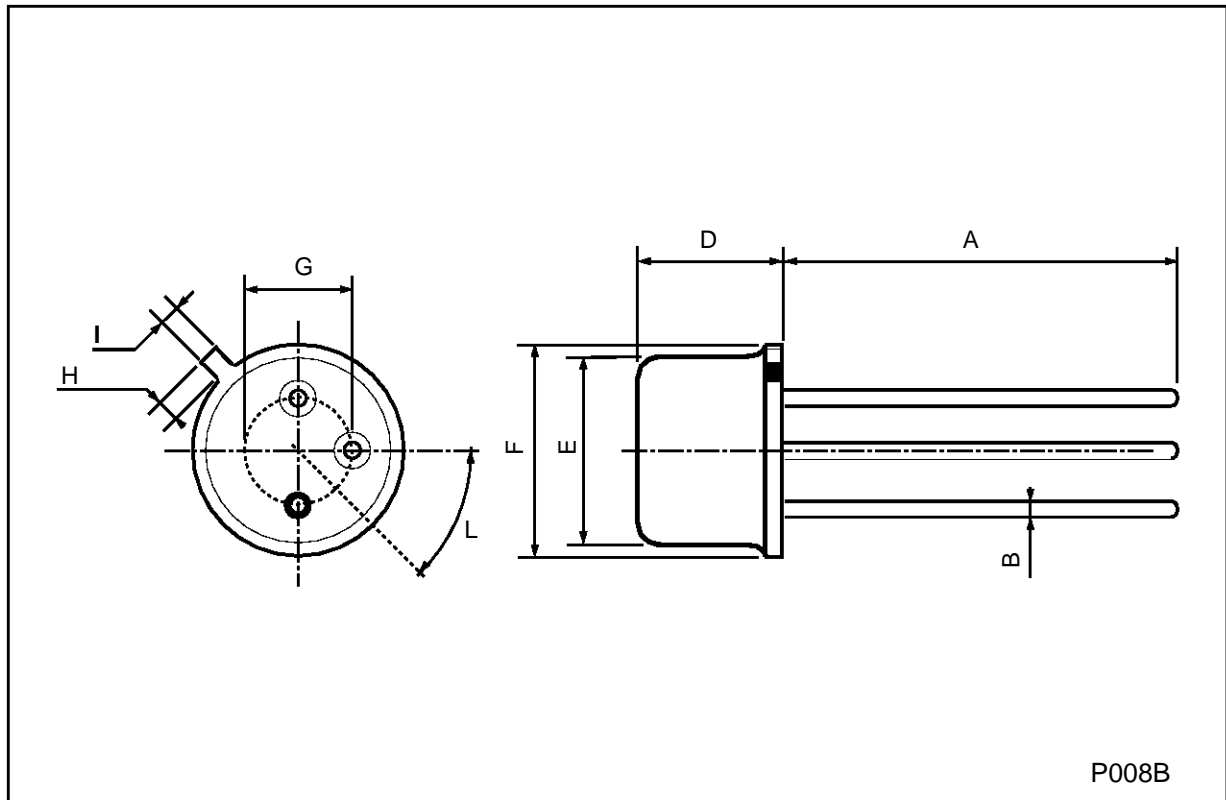
| DIM. | mm | | | inch | | |
|------|------|------|------|-------|-------|-------|
| | MIN. | TYP. | MAX. | MIN. | TYP. | MAX. |
| A | | 12.7 | | | 0.500 | |
| B | | | 0.49 | | | 0.019 |
| D | | | 5.3 | | | 0.208 |
| E | | | 4.9 | | | 0.193 |
| F | | | 5.8 | | | 0.228 |
| G | 2.54 | | | 0.100 | | |
| H | | | 1.2 | | | 0.047 |
| I | | | 1.16 | | | 0.045 |
| L | 45° | | | 45° | | |



0016043

TO-39 MECHANICAL DATA

| DIM. | mm | | | inch | | |
|------|------------|------|------|-------|------|-------|
| | MIN. | TYP. | MAX. | MIN. | TYP. | MAX. |
| A | 12.7 | | | 0.500 | | |
| B | | | 0.49 | | | 0.019 |
| D | | | 6.6 | | | 0.260 |
| E | | | 8.5 | | | 0.334 |
| F | | | 9.4 | | | 0.370 |
| G | 5.08 | | | 0.200 | | |
| H | | | 1.2 | | | 0.047 |
| I | | | 0.9 | | | 0.035 |
| L | 45° (typ.) | | | | | |



P008B

Information furnished is believed to be accurate and reliable. However, SGS-THOMSON Microelectronics assumes no responsibility for the consequences of use of such information nor for any infringement of patents or other rights of third parties which may result from its use. No license is granted by implication or otherwise under any patent or patent rights of SGS-THOMSON Microelectronics. Specifications mentioned in this publication are subject to change without notice. This publication supersedes and replaces all information previously supplied. SGS-THOMSON Microelectronics products are not authorized for use as critical components in life support devices or systems without express written approval of SGS-THOMSON Microelectronics.

© 1997 SGS-THOMSON Microelectronics - Printed in Italy - All Rights Reserved

SGS-THOMSON Microelectronics GROUP OF COMPANIES

Australia - Brazil - Canada - China - France - Germany - Italy - Japan - Korea - Malaysia - Malta - Morocco - The Netherlands -
Singapore - Spain - Sweden - Switzerland - Taiwan - Thailand - United Kingdom - U.S.A

...

This datasheet has been download from:

www.datasheetcatalog.com

Datasheets for electronics components.