



LA3246

Stereo Preamplifier for Compact Double Cassette Playback-only Use

Overview

The LA3246 is a stereo preamplifier IC for double cassette tape playback-only use. The LA3246 is intended for use in portable radio-cassette tape recorders and tape decks.

Applications

- Stereo compact cassette player for playback-only use
- Stereo cassette deck player

Functions

- Preamplifier $\times 2$, Mixing amplifier $\times 1$, Electronic switch $\times 6$

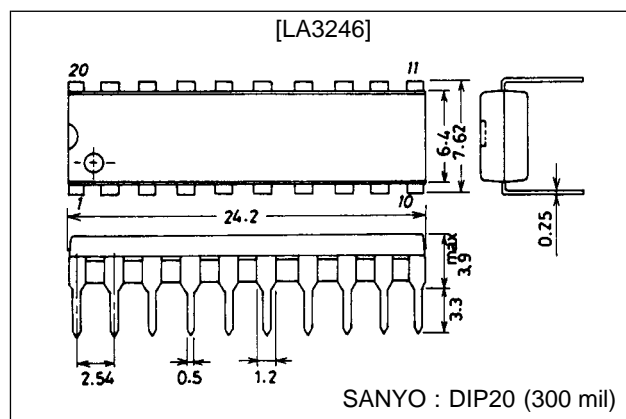
Features

- On-chip electronic switch for input select (auto reverse or A deck/B deck select)
- On-chip electronic switch for normal/higher dubbing select and electronic switch for metal/normal tape select
- Wide operating voltage range ($V_{CC\ op} = 3.5$ to $14\ V$)
- With output MIX pin (for music select control)
- Low noise voltage range ($V_{NI} = 0.9\ \mu V$ typ, $R_g = 2.2\ k\Omega$ NAB)
- Can be used in conjunction with the LA3240, 3241, 3242 to easily make up a doublecassette dubbing system.

Package Dimensions

unit : mm

3021B-DIP20



Specifications

Maximum Ratings at $T_a = 25^\circ C$

Parameter	Symbol	Conditions	Ratings	Unit
Maximum supply voltage	$V_{CC\ max}$		16	V
Allowable power dissipation	$P_d\ max$		500	mW
Operating temperature	T_{opr}		-20 to +75	$^\circ C$
Storage temperature	T_{stg}		-40 to +125	$^\circ C$

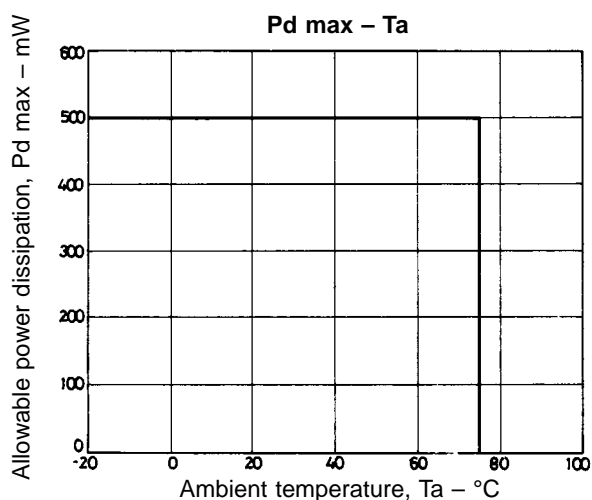
Maximum Ratings at $T_a = 25^\circ C$

Parameter	Symbol	Conditions	Ratings	Unit
Recommended supply voltage	V_{CC}		6	V
Operating voltage range	$V_{CC\ op}$		3.5 to 14	V

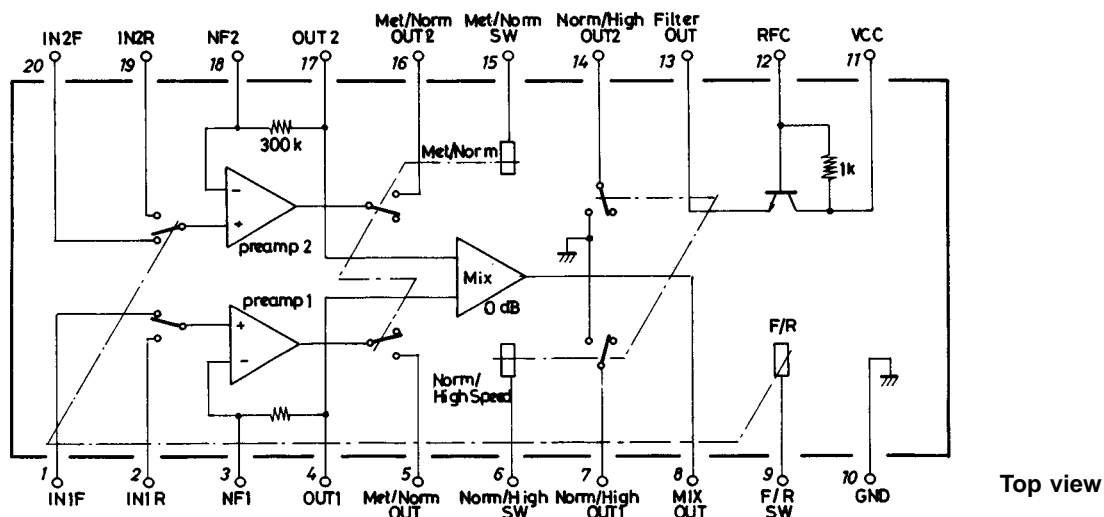
LA3246

Operating Characteristics at $T_a = 25^\circ\text{C}$, $V_{CC} = 6.0\text{ V}$, $R_L = 10\text{ k}\Omega$, $f = 1\text{ kHz}$, $0\text{ dB} = 0.775\text{ V}$

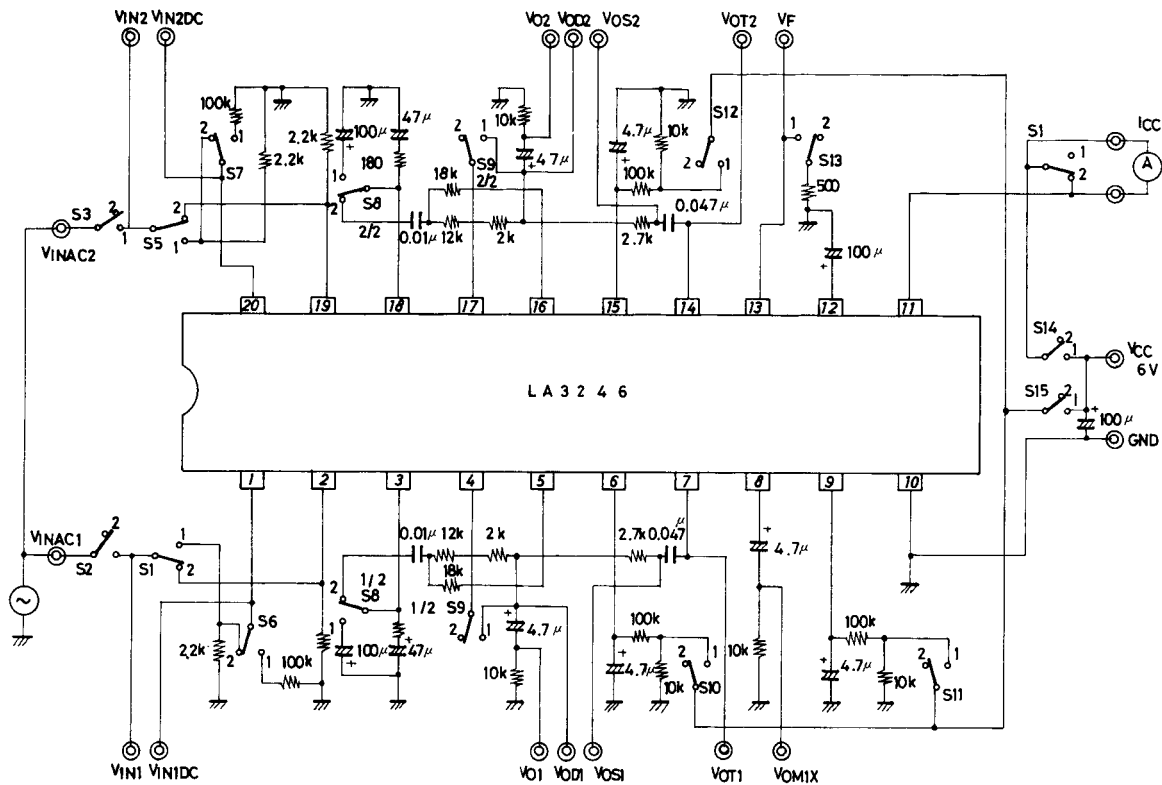
Parameter	Symbol	Conditions	min	typ	max	Unit
Quiescent current	I_{CCO}	Nor/Nor speed forward	5	7	12	mA
	I_{CCS}	Metal/High speed forward	7	10	17	mA
Voltage gain (Open)	V_{GO}		75	85		dB
Voltage gain (Closed)	V_G	Nor/Nor speed, NAB	39.5	40.5	41.5	dB
Total harmonic distortion	THD	$V_O = 0.65\text{ V}$, Nor/Nor speed		0.03	0.2	%
Maximum output voltage	$V_O\text{ max}$	THD = 1%, Nor/Nor speed	0.7	1.2		V
Crosstalk (between channels)	CT1	$V_O = -5\text{ dBm}$, $R_g = 2.2\text{ k}\Omega$, Nor/Nor speed	50	65		dB
Crosstalk (between F/R)	CT2	$V_O = -5\text{ dBm}$, $R_g = 2.2\text{ k}\Omega$, Nor/Nor speed	50	65		dB
Channel balance	V_{BL}	$V_{IN} = -50\text{ dBm}$		0	2	dB
Equivalent input noise voltage	V_{NI}	$R_g = 2.2\text{ k}\Omega$, B.P.F 20 Hz to 20 kHz, Nor/Nor speed		0.9	1.7	μV
MIX output voltage	V_{OMIX}	V_{O1} , $V_{O2} = 0\text{ dBm}$	-3	0	+3	dB
Ripple filter output current	$I_{F\text{ OUT}}$			10	15	mA
Electronic switch ON-state resistance	R_{on}	Between P1 to P4 and 5, between pin 16 and 17		100	250	Ω
		Between P1 to P7 and 10, between pin 10 and 14		30	70	Ω
DC feedback resistance	R_F		240	300	360	Ω
Input bias current	I_F			0.5	3.0	μA



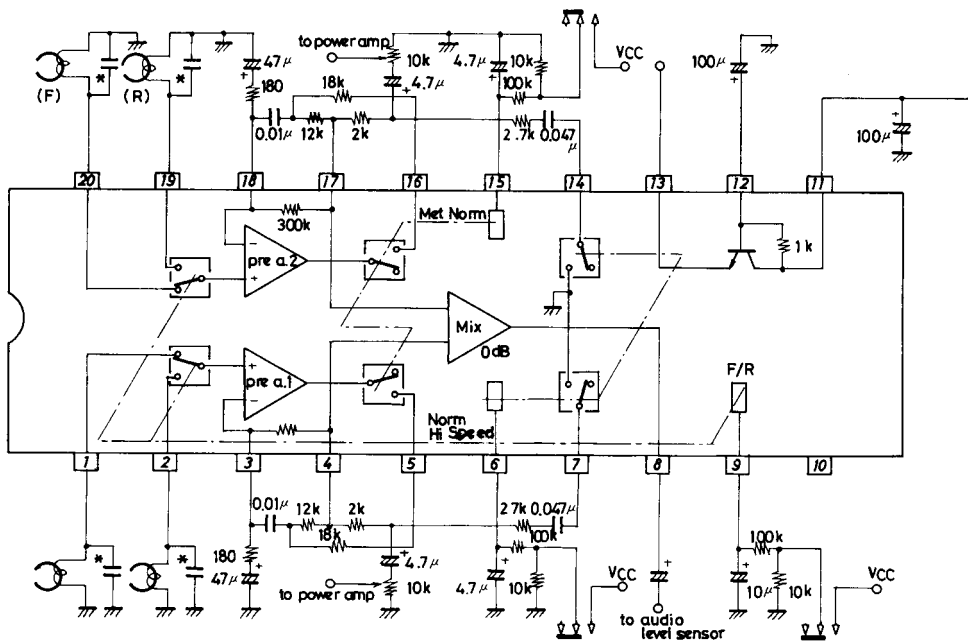
Equivalent Circuit Block Diagram



Test Circuit



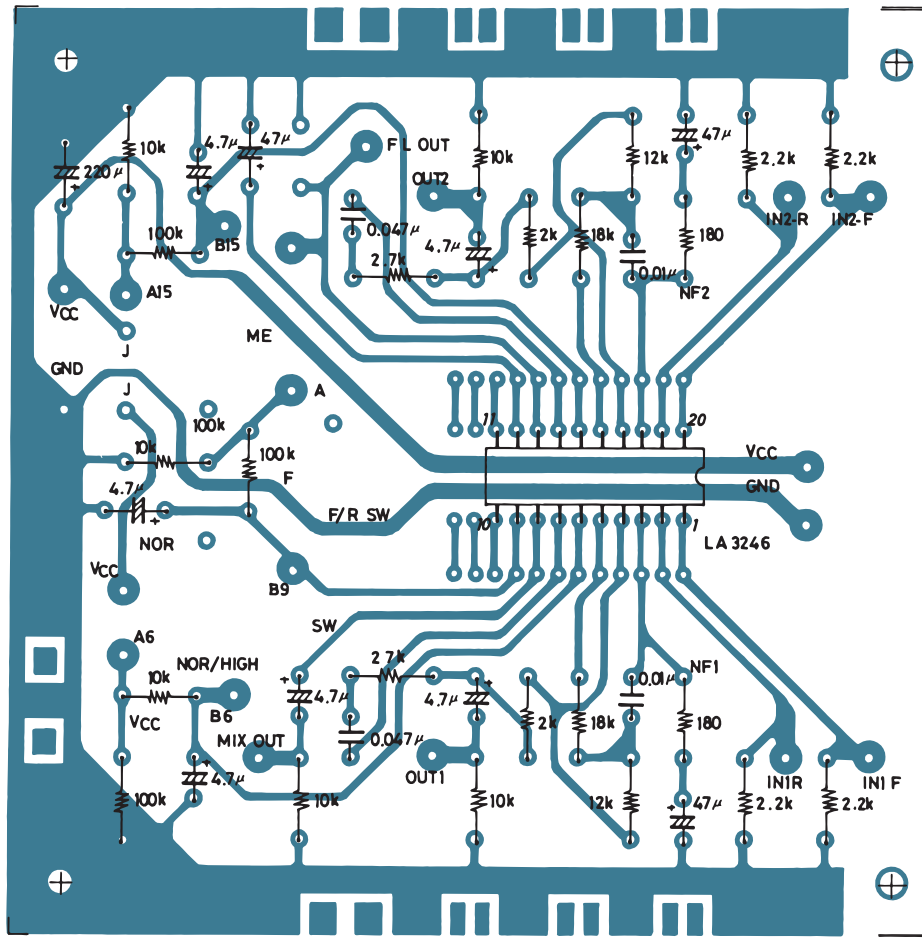
Sample Application Circuit



Unit (resistance: Ω, capacitance: F)

- Note 1. The output frequency characteristic for Nor Tape/High speed mode (pin 6: High, pin 15: Low) and that for Metal Tape/Nor speed mode (pin 6: Low, pin 15: Low) are set to be the same.
2. Since the input bias current flows out of pins 1, 2 and pins 19, 20, a resistor (recommended value: 30 kΩ to 350 kΩ, maximum value: 500 kΩ) must be connected a coupling capacitor in series with these pins.
3. *: A capacitor must be connected to the input to absorb a surge.
4. The electronic select switching level is approximately $1/2 \times (V_{CC} - 0.9)$.
5. The value of the capacitor connected to pin 12 can be increased/decreased to adjust starting time t_s at the time of application of V_{CC} . ($C = 100 \mu F$, $t_s = 0.4$ s.) If the capacitor value is made less than $47 \mu F$, the ripple rejection will get worse.
6. No capacitor is connected to pin 13. (Even if connected, the ripple can not be rejected.)
7. Extreme caution should be exercised when handling the IC as it is subject to dielectric breakdown.

Sample Printed Circuit Pattern (Cu-foiled area)

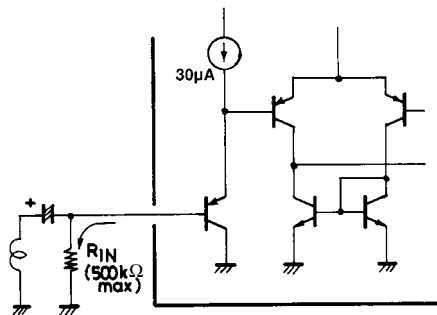


115×115 mm²

Unit (resistance: Ω, capacitance: F)

IC Usage Notes

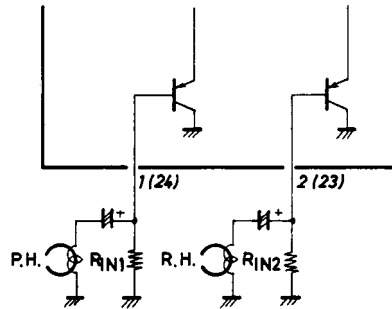
- (1) It is recommended to connect a surge absorbing capacitor across input pins 1, 2 and GND and across input pins 19, 20 and GND.
- (2) The base of a PNP transistor is connected to input pins 1, 2 and 19, 20. If an electrolytic capacitor is connected in series with the input pins, connect input resistor R_{IN} must not exceed 500 kΩ. (Reason: To minimize the variation in output DC voltage at the time of input switching)



If a resistor of more than 500 kΩ is connected across input pin and GND, the noise (output) caused by amp 1 and amp 2 select is liable to increase at the time of F/R switching.

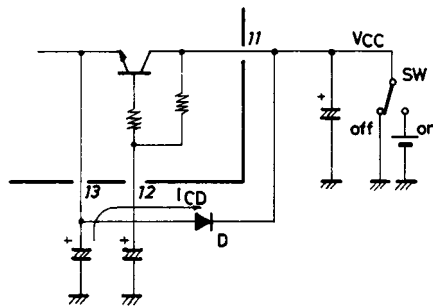
LA3246

- (3) When an electrolytic capacitor is connected to input pins 1, 2 (or 23, 24), make the value of R_{IN1} as equal to that of R_{IN2} as possible.

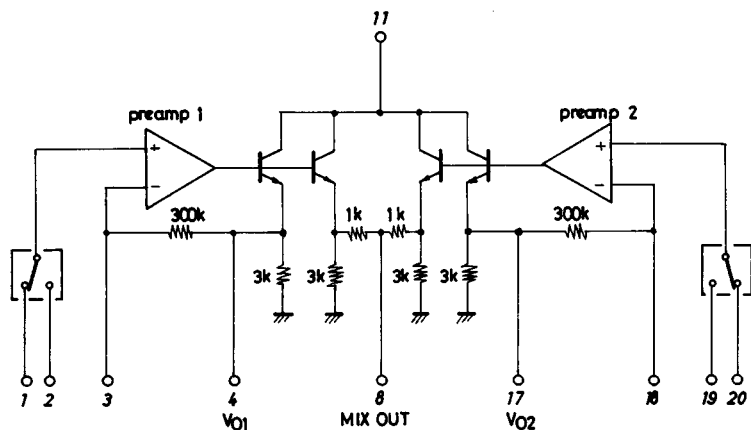


The difference in the value between R_{IN1} and R_{IN2} causes the variation in amp output DC voltage at the time of F/R switching. Therefore, the input DC voltage (voltage across R_{IN}) must be made as equal as possible.

- (4) The amplifier output characteristics are designed to be the same in the Nor Tape/High Speed (pin 15 GND/pin 6 V_{CC}) and Me Tape/Nor Speed (pin 15 V_{CC} /pin 6 GND) modes. (Refer to sample application circuit, external constants.)
- (5) When externally turning ON/OFF power supply pin 11 (by bringing pin 11 to $+V_{CC}$ /GND level) with a capacitor connected to pin 13, connect external diode D, as shown below, so that no breakdown (or deterioration) of the IC system is caused by I_{CD} when the switch is turned OFF. When no capacitor is connected to pin 13, diode D is not required.



- (6) The output MIX circuit is of the emitter follower configuration as shown below.



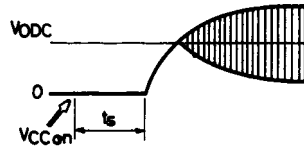
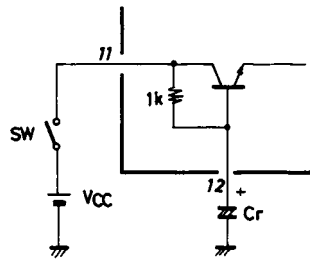
Unit (resistance: Ω)

The MIX OUT output level $V_O \text{ MIX}$ at the time a signal is applied to preamp1 (or preamp2) only is $1/2$ as compared with output levels V_{O1} , V_{O2} at the time the same input signal is applied to both channels.

$$V_O \text{ MIX} = 1/2 \quad V_{O1} (= 1/2 \times V_{O2})$$

where $V_{O1} = V_{O2}$

(7) Output waveform starting time



Example of rise waveform at pin 4 (or 17)

When supply voltage V_{CC} is switched ON, the amplifier output (pins 4, 17) will rise. Output waveform ON time t_s can be varied by capacitor C_r connected to pin 12.

Refer to Data $C_r - t_s$.

The minimum value of C_r is 47 μF .

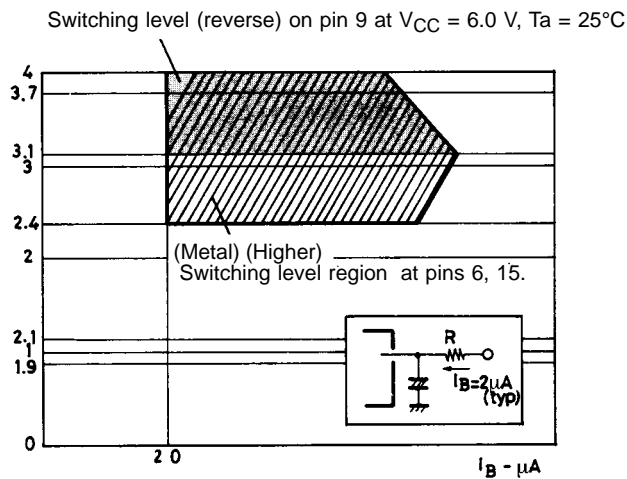
(8) Electronic select switching level

- The switch level at $V_{CC} = 6.0 V$ is shown below.

Pin	Switch Mode	Switching Level		Clamp Voltage	Control Current typ (flow-in) (at operation finish)	Mode	
		Operation Start	Operation Finish			(+)	(-)
6	Normal/Metal	2.1 V	2.4 V	3.7 V	2 μA	Metal	Normal
9	Forward/Reverse	2.1 V	3.1 V	3.4 V	2 μA	Reverse	Forward
15	Normal/Higher	2.1 V	2.4 V	3.7 V	2 μA	Higher	Normal

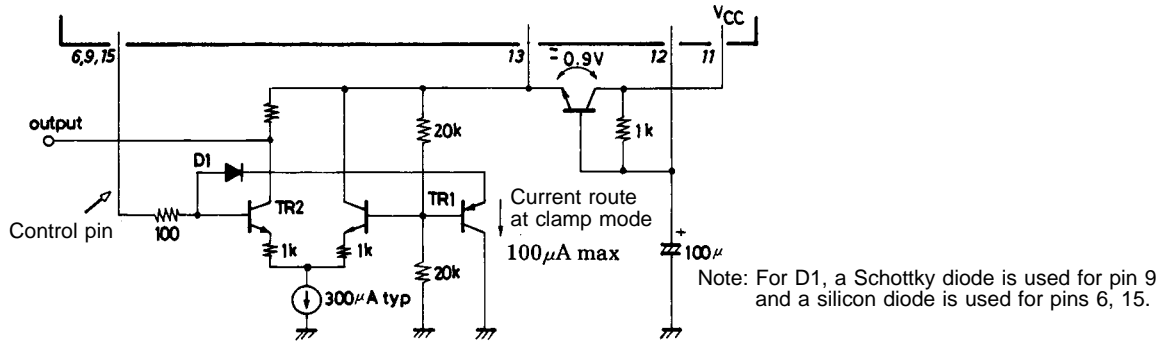
As shown above, there is a difference in the switching level at three control pins (6, 9, 15) between operation start and operation finish.

- Switching level and mode at each pin (experimental value)



• Control circuit

The control circuit for each CONT pin is configured as shown below. When a voltage more than a given value is applied, the level on the pin is fixed by clamp diode D1.



Unit (resistance: Ω, capacitance: F)

Description

- Switching level V_{SW} of the control circuit is fixed by voltage V_{13} which is 1/2 of the voltage on pin 13.

$$V_{SW} = 1/2 V_{13}$$

- Clamp voltage V_{CLP} at the time a voltage is applied to the CONT pin

$$V_{CLP} = 1/2 \times V_{13} + V_{D1} + V_{BE1}$$

$$= 1/2 \times V_{13} + 0.6 (0.3) + 0.6$$

$$= 1/2 \times V_{13} + (0.9 \text{ or } 1.2)$$

where 0.9 V is for pin 9.
1.2 V is for pins 6, 15.

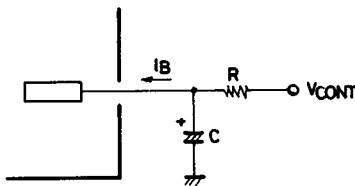
- The maximum voltage at which the CONT pin is brought to GND level is fixed by the level at which the Q2 is completely turned OFF.

This level is:

$$1/2 \times V_{13} - V_{BE2} = 1/2 \times V_{13} - 0.6 [V]$$

Switching is performed at a level less than this.

- To turn ON/OFF
When turning ON:



To turn ON the control circuit to finish the operation, I_B is required. Control voltage V_{OUT} is obtained with I_B of 4 μA min.

- $V_{CONT \text{ min}} = R \times I_B \text{ max} + \text{Operation finish voltage}$

$$I_B = 4 \mu A$$

Operation finish voltage

$$\text{Pins 6, 15 : } = 1/2 \times V_{13}$$

$$\text{Pin 9 : } = 1/2 \times V_{13} + V_{BE}$$

$$= 1/2 \times V_{13} + 0.6 [V]$$

- $V_{CONT \text{ max}} = R \times I_B \text{ max} + \text{Clamp voltage}$
R is restricted by $I_B \text{ max}$.

When the supply voltage is fixed, clamp voltage V_{CLP} is fixed. When resistor R is fixed based on a balance with capacitor C, resistor R is restricted by $V_{CONT \text{ max}}$ as shown below.

$$I_B \text{ max} = 100 \mu A \geq \frac{V_{CONT \text{ max}} - V_{CLP}}{R}$$

The minimum value of resistor R is fixed by this equation.

Example

Assuming $V_{CC} = 10 \text{ V}$, $V_{CONT \text{ max}} = 10 \text{ V}$, R_{min} is 50 kΩ.

Therefore, $R = 100 \text{ k}\Omega$ presents no problem.

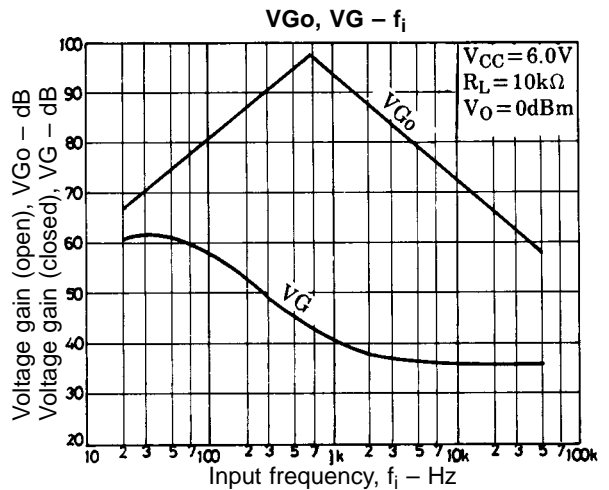
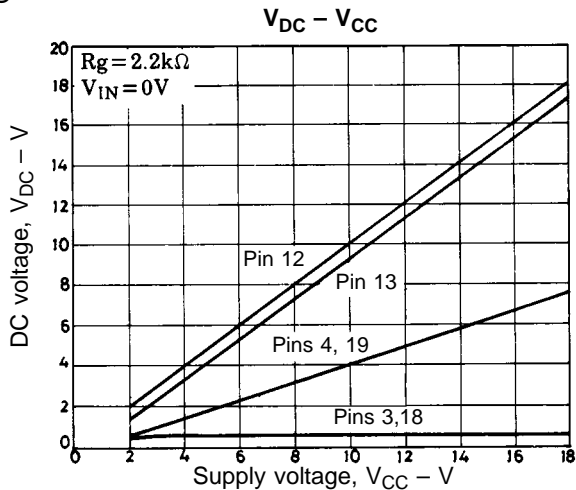
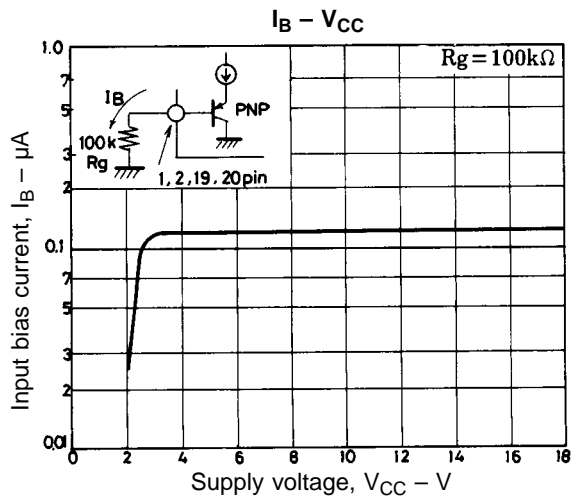
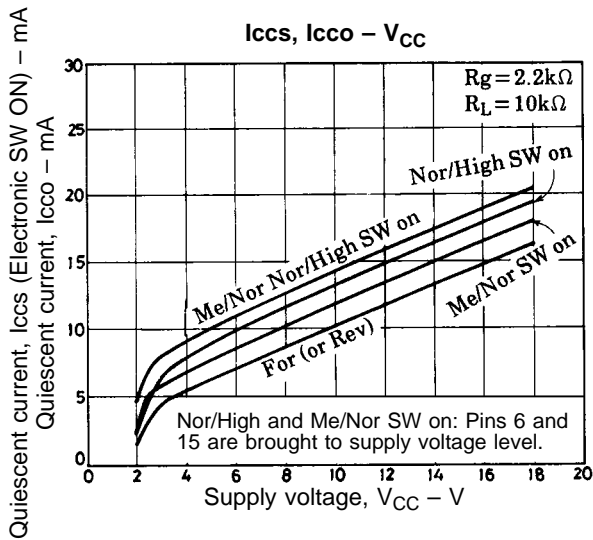
When turning OFF:

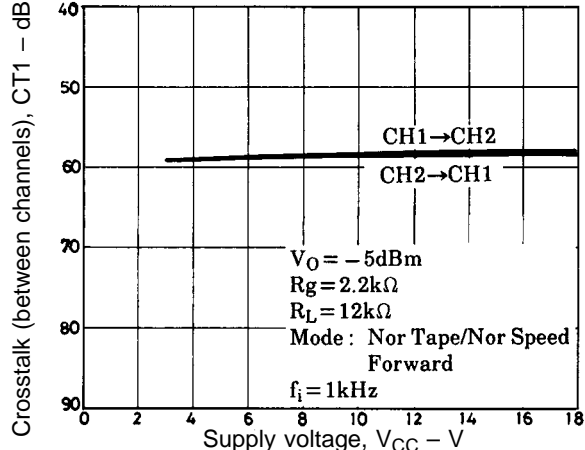
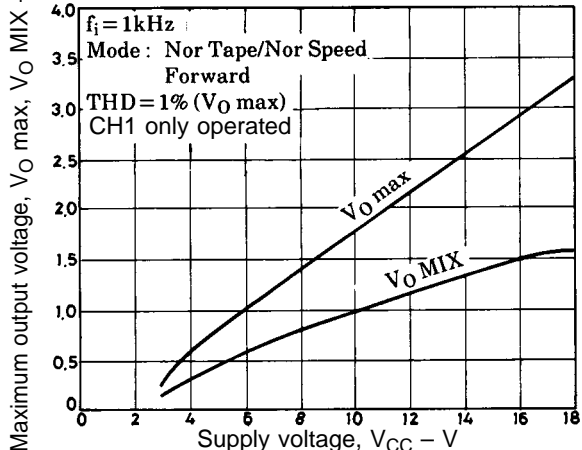
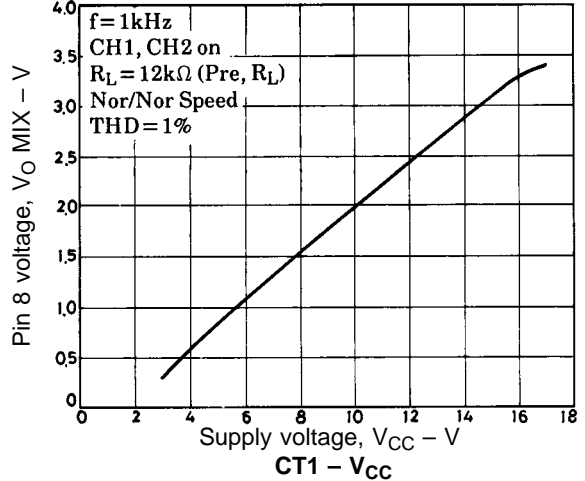
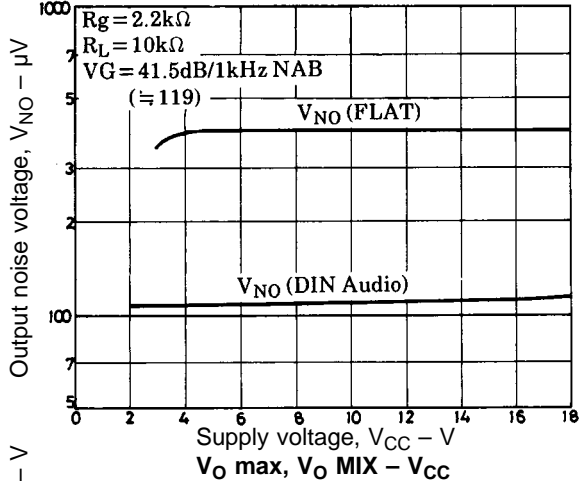
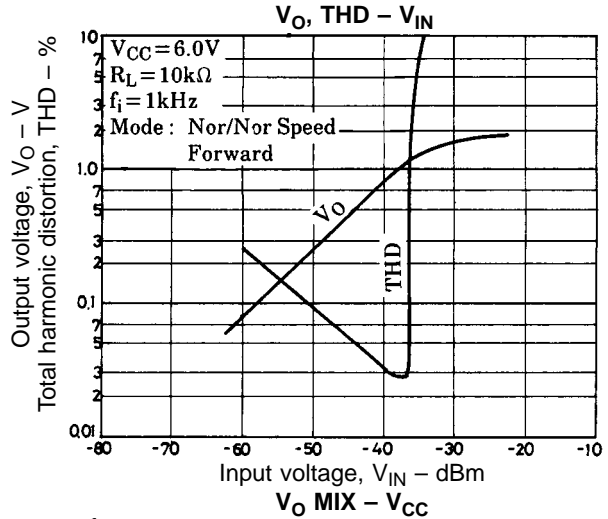
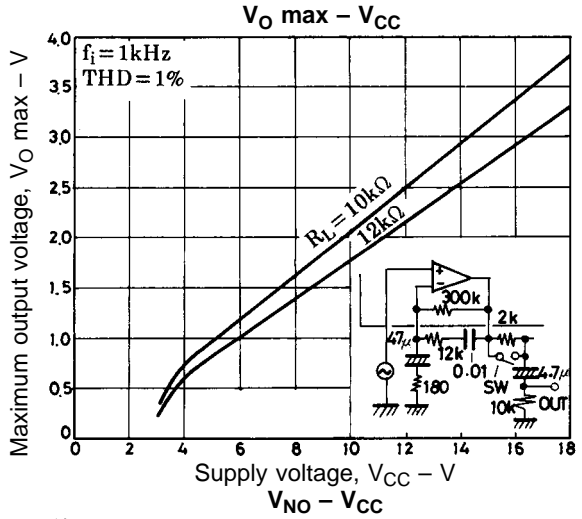
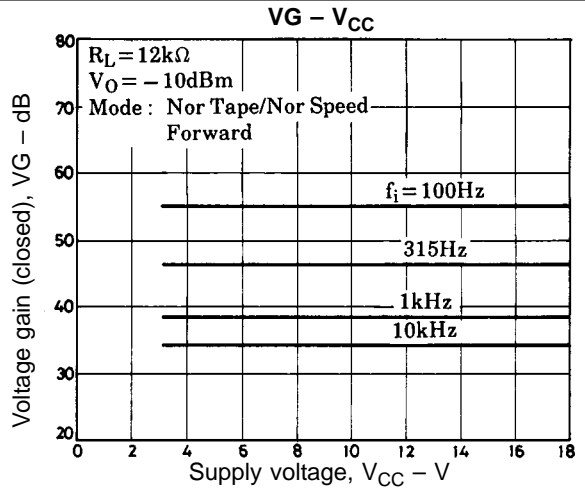
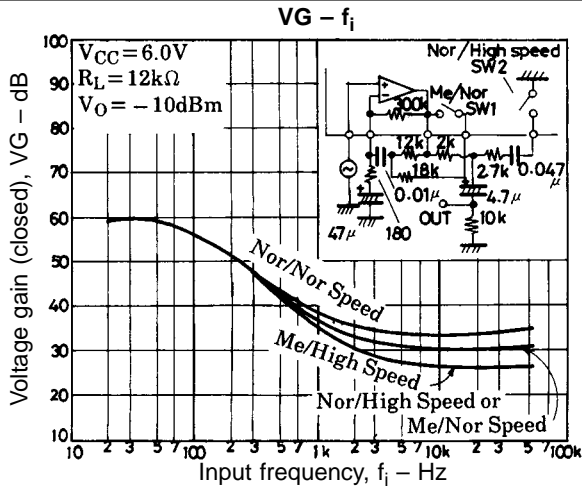
Bring the level on the CONT pin to a level less than:

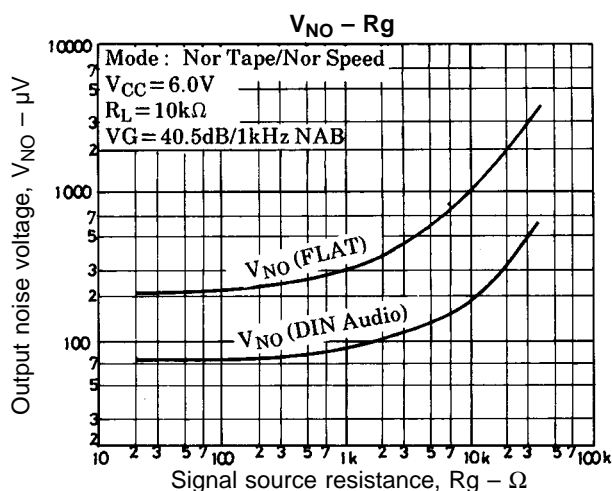
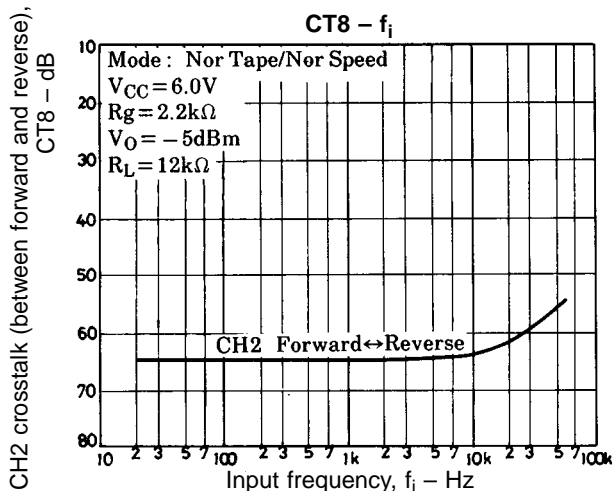
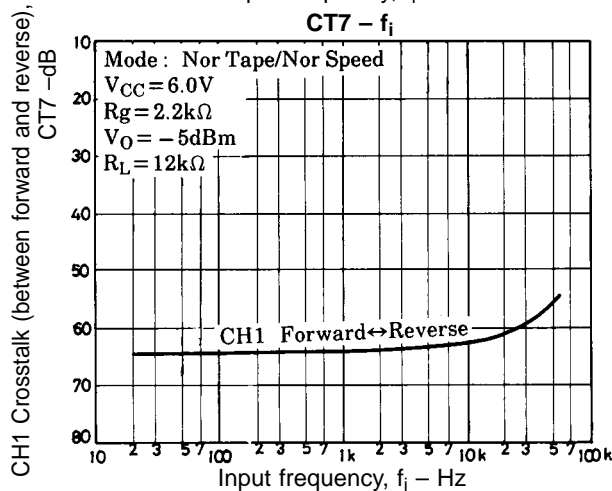
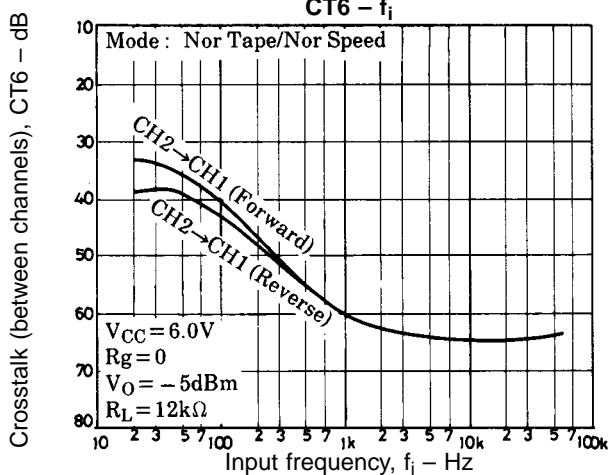
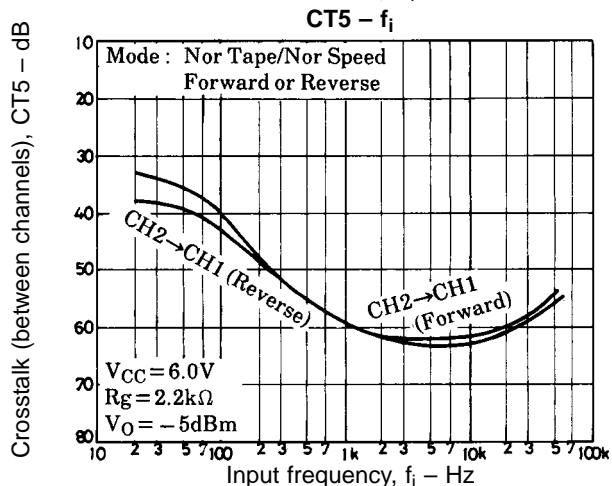
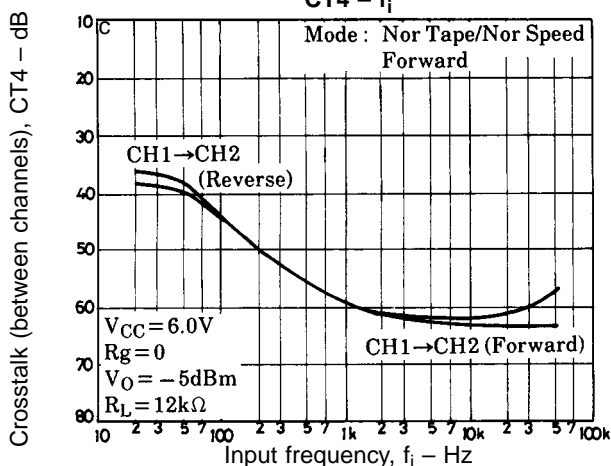
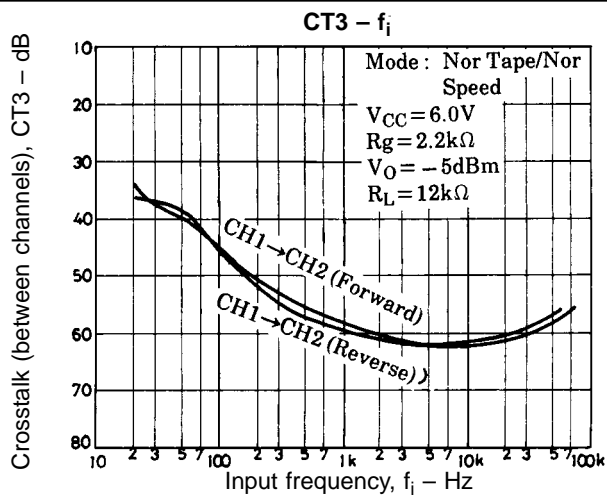
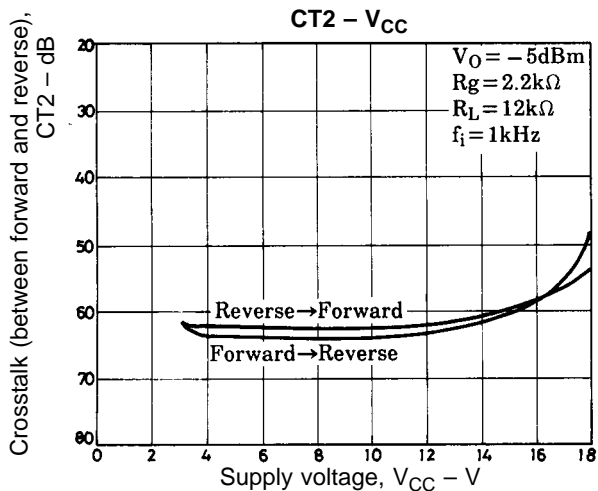
$$1/2 \times V_{13} - V_{BE2} = 1/2 \times V_{13} - 0.6 [V]$$

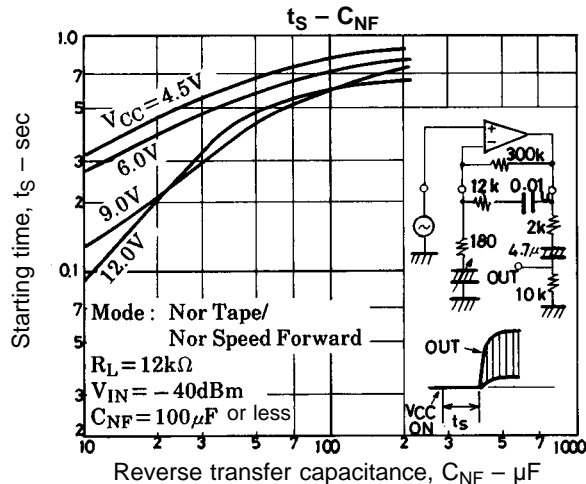
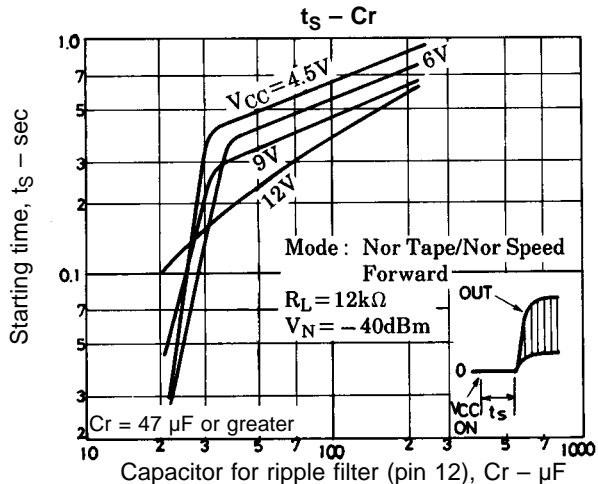
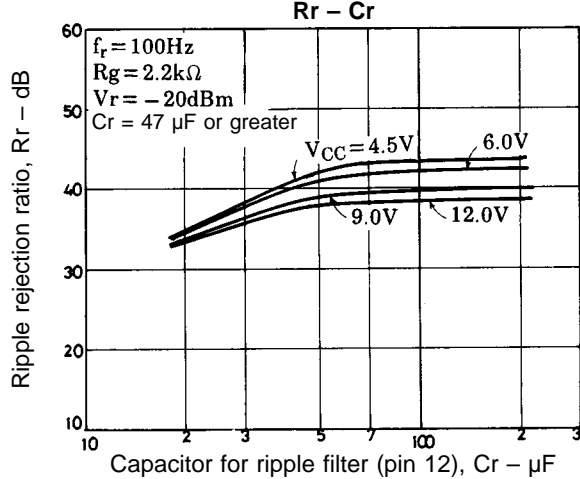
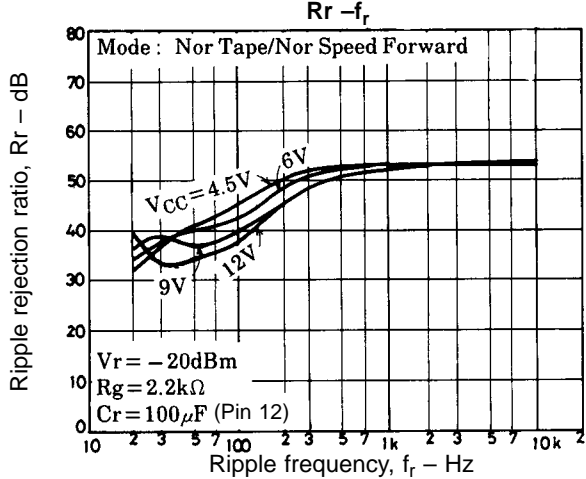
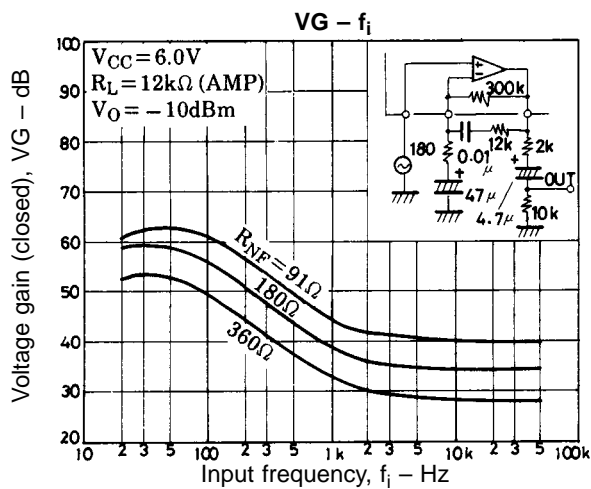
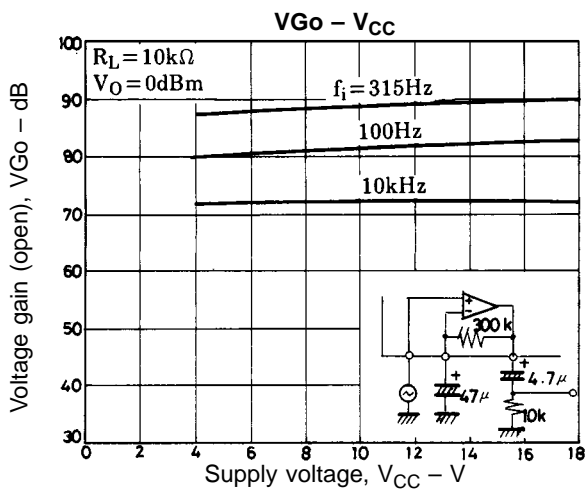
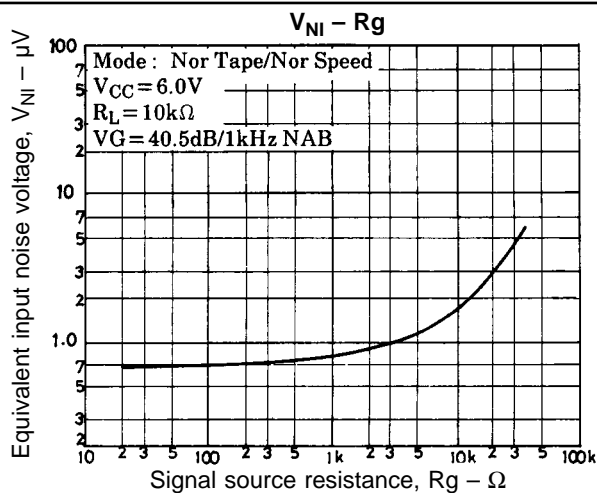
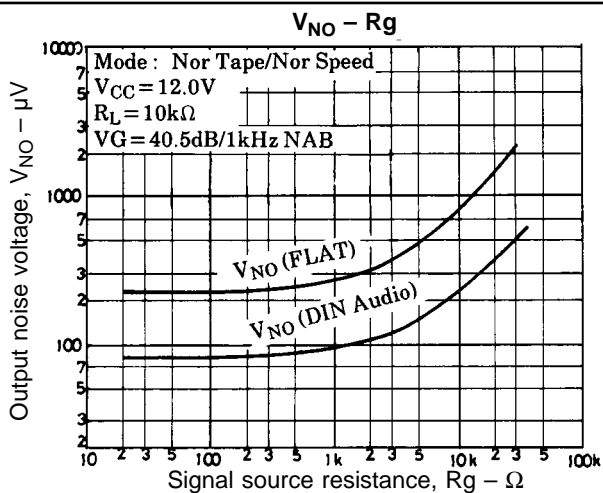
(9) Example of voltage on each pin

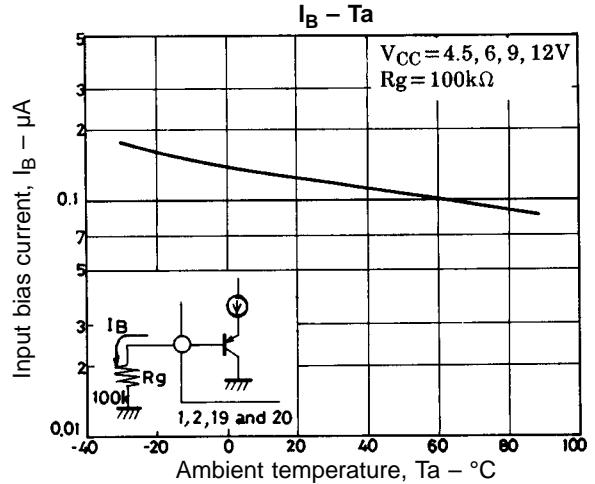
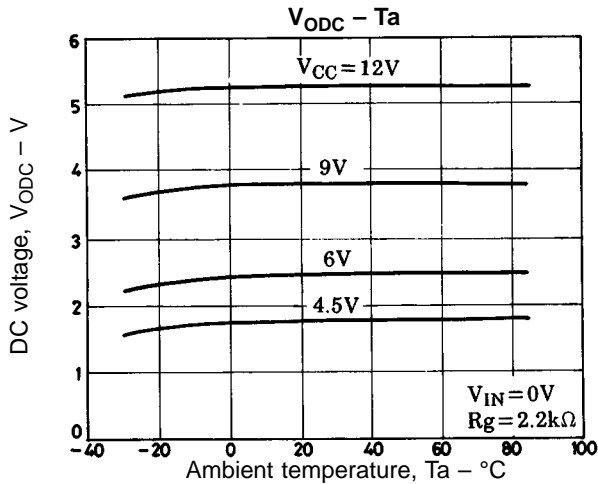
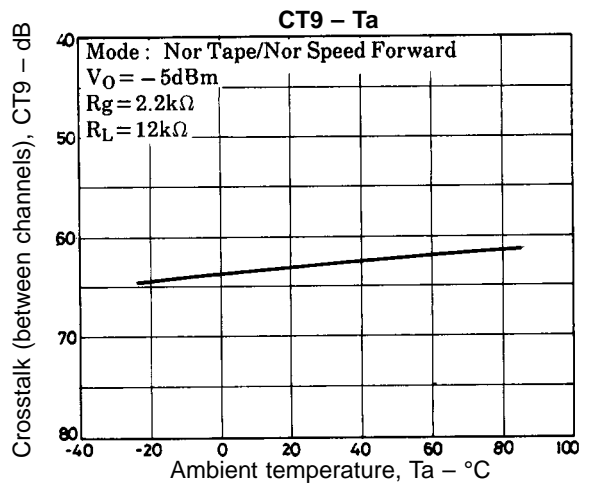
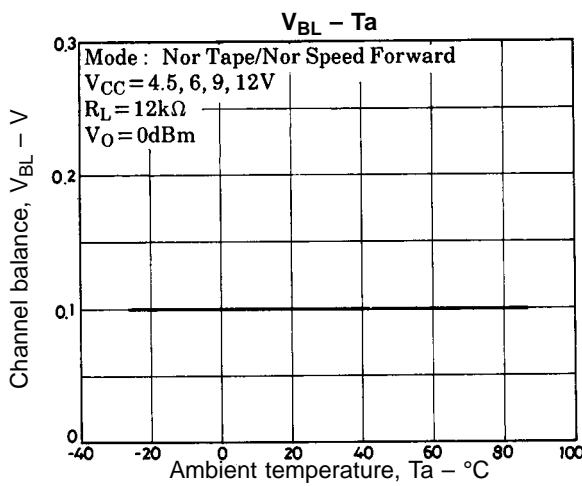
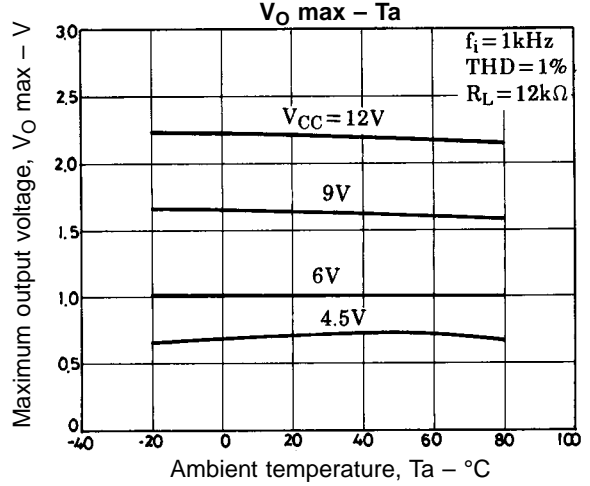
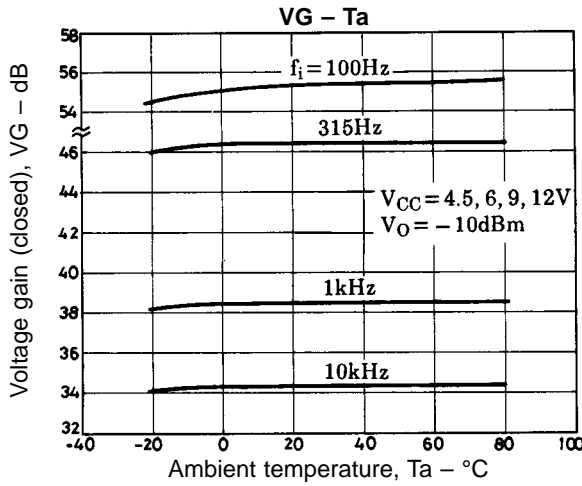
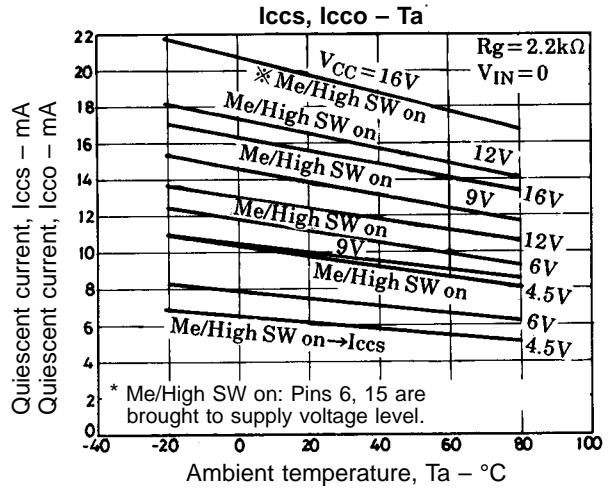
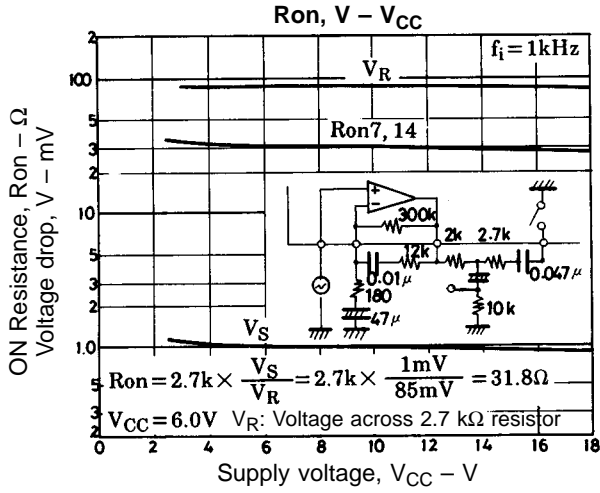
R _g = 2.2 kΩ, T _a = 25°C, V _{IN} = 0, pins 6, 9 and 15 = GND					
Pin	Supply voltage, V _{CC} - V				Unit
	4.5 V	6.0 V	9.0 V	12.0 V	
1	0.3	0.3	0.3	0.3	mV
2	0.3	0.3	0.3	0.3	mV
3	0.59	0.58	0.57	0.56	V
4	1.63	2.23	3.65	5.02	V
5	1.63	2.23	3.65	5.02	V
6	(GND) 0	(GND) 0	(GND) 0	(GND) 0	V
7	0	0	0	0	V
8	1.63	2.29	3.64	5.01	V
9	(GND) 0	(GND) 0	(GND) 0	(GND) 0	V
10	(GND) 0	(GND) 0	(GND) 0	(GND) 0	V
11	V _{CC}	V _{CC}	V _{CC}	V _{CC}	V
12	4.48	5.96	8.97	11.23	V
13	3.72	5.20	8.21	11.98	V
14	0	0	0	0	V
15	(GND) 0	(GND) 0	(GND) 0	(GND) 0	V
16	1.63	2.23	3.65	5.02	V
17	1.63	2.23	3.65	5.02	V
18	0.59	0.58	0.57	0.56	V
19	0.3	0.3	0.3	0.3	mV
20	0.3	0.3	0.3	0.3	mV











- No products described or contained herein are intended for use in surgical implants, life-support systems, aerospace equipment, nuclear power control systems, vehicles, disaster/crime-prevention equipment and the like, the failure of which may directly or indirectly cause injury, death or property loss.
- Anyone purchasing any products described or contained herein for an above-mentioned use shall:
 - ① Accept full responsibility and indemnify and defend SANYO ELECTRIC CO., LTD., its affiliates, subsidiaries and distributors and all their officers and employees, jointly and severally, against any and all claims and litigation and all damages, cost and expenses associated with such use:
 - ② Not impose any responsibility for any fault or negligence which may be cited in any such claim or litigation on SANYO ELECTRIC CO., LTD., its affiliates, subsidiaries and distributors or any of their officers and employees jointly or severally.
- Information (including circuit diagrams and circuit parameters) herein is for example only; it is not guaranteed for volume production. SANYO believes information herein is accurate and reliable, but no guarantees are made or implied regarding its use or any infringements of intellectual property rights or other rights of third parties.

This catalog provides information as of December, 1997. Specifications and information herein are subject to change without notice.